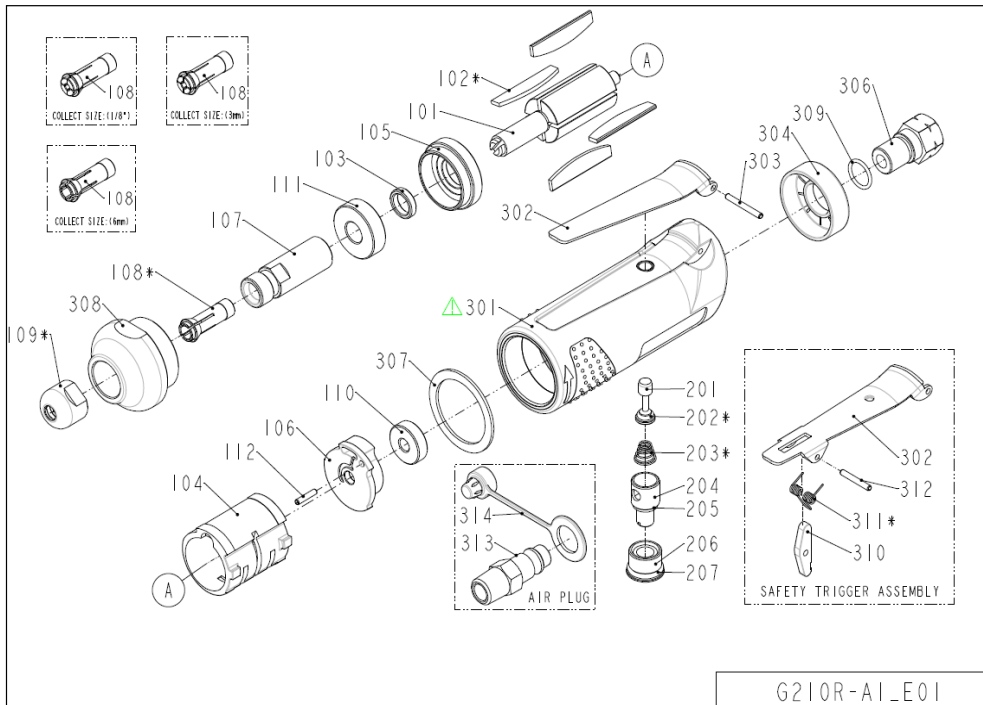


APP700 - Die Grinder (Prestige)



Ref	PCL part no	Description
101	NOT AVAILABLE	ROTOR
102	APS700/RBS	ROTOR BLADES
103	NOT AVAILABLE	ROTOR BUSH
104	NOT AVAILABLE	CYLINDER
105	APS700/FEP	FRONT END PLATE
106	APS700/REP	REAR END PLATE
107	NOT AVAILABLE	SPINDLE
108	APS700/CLT6	COLLET 6MM
108	APS700/CLT3	COLLET 3MM
109	APS700/CNT	COLLET NUT
110	NOT AVAILABLE	BEARING
111	NOT AVAILABLE	BEARING
112	NOT AVAILABLE	SPRING PIN
201	NOT AVAILABLE	VALVE STEM
202	NOT AVAILABLE	O - RING
203	NOT AVAILABLE	VALVE SPRING
204	NOT AVAILABLE	REGULATOR
205	NOT AVAILABLE	O - RING
206	NOT AVAILABLE	VALVE SCREW
207	NOT AVAILABLE	O - RING
301	NOT AVAILABLE	HOUSING
302	NOT AVAILABLE	LEVER
303	NOT AVAILABLE	SPRING PIN
304	NOT AVAILABLE	DEFLECTOR
306	NOT AVAILABLE	AIR INLET
307	NOT AVAILABLE	PACKING
308	NOT AVAILABLE	HOUSING CAP
309	NOT AVAILABLE	O - RING
310	NOT AVAILABLE	SAFETY
311	NOT AVAILABLE	SPRING
312	NOT AVAILABLE	SPRING PIN