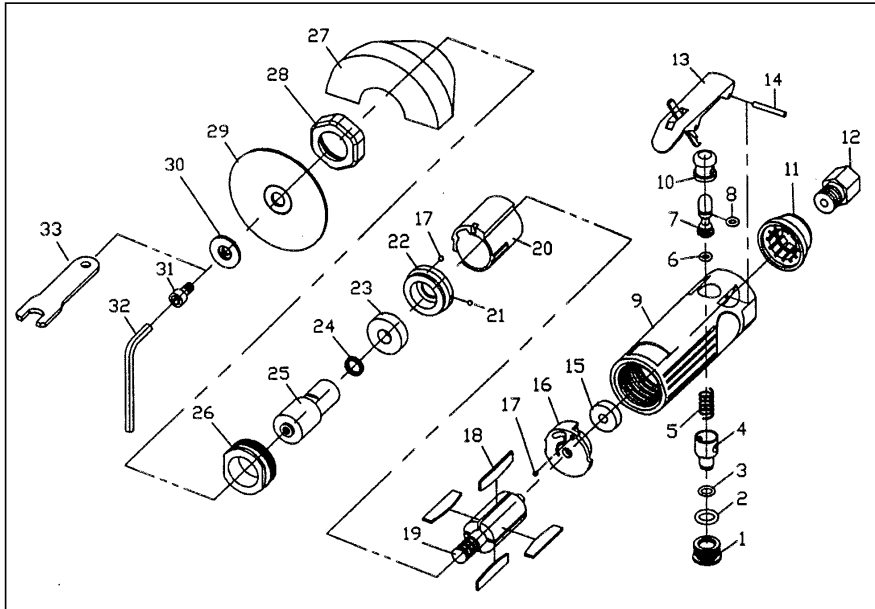


APT719 - Cut Off Tool



Ref	PCL Part No	Description
1	NOT AVAILABLE	PLUG SCREW
2	SEE SERVICE KIT	O-RING
3	SEE SERVICE KIT	O-RING
4	NOT AVAILABLE	AIR REGULATOR
5	SEE SERVICE KIT	VALVE SPRING
6	SEE SERVICE KIT	O-RING
7	NOT AVAILABLE	VALVE STEM
8	SEE SERVICE KIT	O-RING
9	NOT AVAILABLE	MOTOR HOUSING
10	NOT AVAILABLE	VALVE BUSHING
11	NOT AVAILABLE	MUFFLER
12	NOT AVAILABLE	AIR INLET
13	NOT AVAILABLE	LEVER
14	NOT AVAILABLE	LEVER PIN
15	SEE REPAIR KIT	BEARING
16	NOT AVAILABLE	BEARING PLATE
17	NOT AVAILABLE	BALL
18	SEE REPAIR KIT	ROTOR BLADE
19	NOT AVAILABLE	ROTOR
20	NOT AVAILABLE	CYLINDER
17	NOT AVAILABLE	BALL
21	NOT AVAILABLE	BALL
22	SEE REPAIR KIT	BEARING
23	NOT AVAILABLE	BEARING
24	NOT AVAILABLE	ROTOR COLLAR
25	NOT AVAILABLE	SPINDLE
26	NOT AVAILABLE	LOCK RING
27	NOT AVAILABLE	PLASTIC PROTECTOR
28	NOT AVAILABLE	NUT
29	APT75FCM	PACK OF 10 3" CUTTING DISCS
30	SEE REPAIR KIT	HEX SCREW
31	SEE REPAIR KIT	HEX SCREW
32	NOT AVAILABLE	ALLEN WRENCH
33	NOT AVAILABLE	WRENCH
N/A	APTR719	APT719 Repair Kit (items: 15,18,22,30,31)
N/A	APTS719	APT719 Service Kit (items: 2,3,5,6,8)