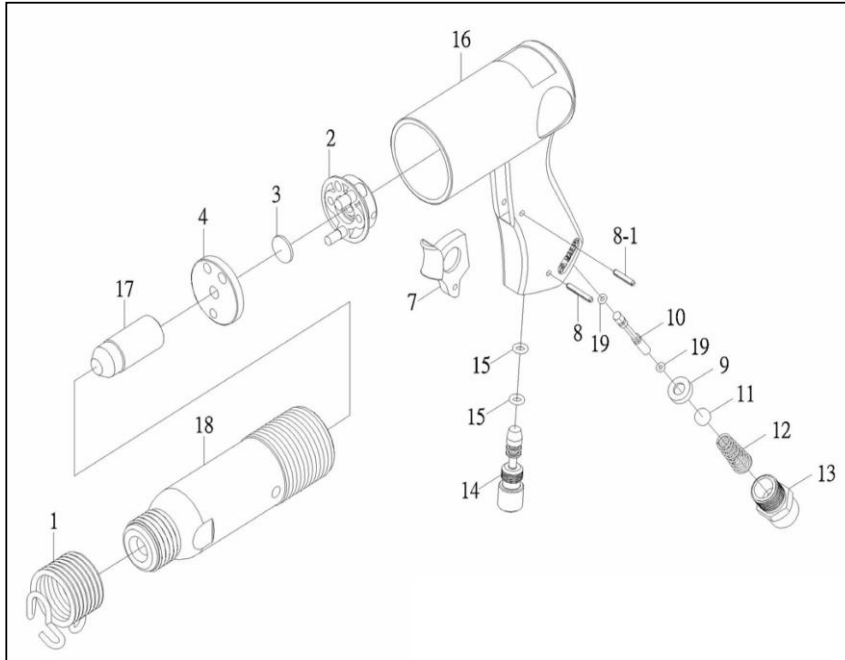


APT517 - Air Hammer



Ref. #	PCL Part No	Description
1	APS517/RSG	Retainer Spring
2	NOT AVAILABLE	Upper Valve Assy
3	NOT AVAILABLE	Valve Disc
4	NOT AVAILABLE	Lower Valve Seat
7	NOT AVAILABLE	Trigger
8	NOT AVAILABLE	Spring Ping (Φ3x20L)
8-1	NOT AVAILABLE	Spring Ping (Φ3x16L)
9	SEE SERVICE KIT	Ball Seat
10	NOT AVAILABLE	Rush Rod
11	NOT AVAILABLE	Ball
12	NOT AVAILABLE	Spring
13	NOT AVAILABLE	Inlet Bushing
14	NOT AVAILABLE	Regulator Valve
15	NOT AVAILABLE	O-Ring (d5.0xw2.0)
16	NOT AVAILABLE	Handle
17	NOT AVAILABLE	Piston
18	NOT AVAILABLE	Cylinder-Round
18A	NOT AVAILABLE	Cylinder-Hex(10mm)
18B	NOT AVAILABLE	Cylinder-Hex(11mm)
19	NOT AVAILABLE	O-Ring (d2.5xw1.5)
N/A	APTS517	APT517 Service Kit (items: 9)