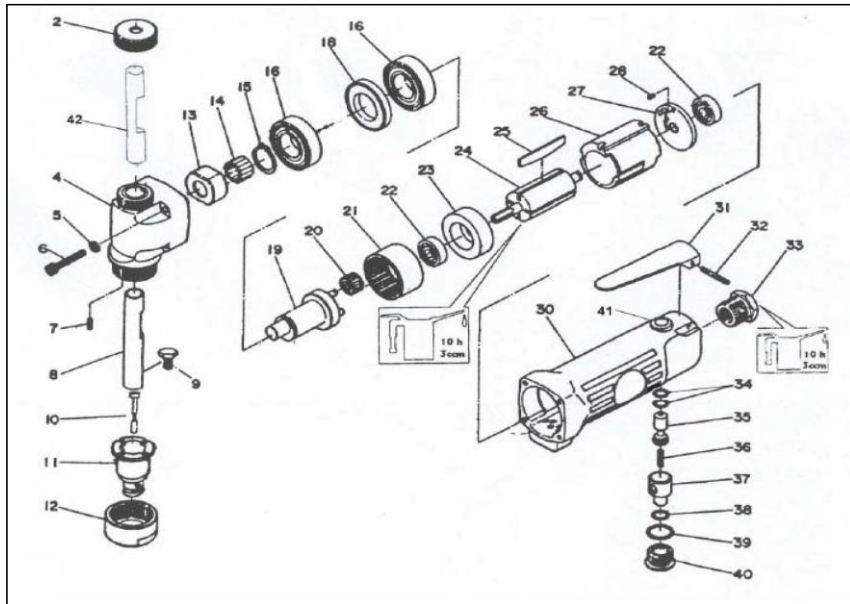


## APT660 - Nibbler



| Ref. #    | PCL Part No       | Description             |
|-----------|-------------------|-------------------------|
| 02        | NOT AVAILABLE     | Head Cap                |
| 04        | NOT AVAILABLE     | Head incl.#42           |
| 05        | NOT AVAILABLE     | Washer                  |
| 06        | NOT AVAILABLE     | Screw                   |
| 07        | NOT AVAILABLE     | Pin                     |
| <b>08</b> | <b>APS660/SPN</b> | <b>Slide Pin (push)</b> |
| <b>09</b> | <b>APS660/SSW</b> | <b>Set Screw (push)</b> |
| <b>10</b> | <b>APS660/PCH</b> | <b>Punch (push)</b>     |
| <b>11</b> | <b>APS660/DPH</b> | <b>Die (push)</b>       |
| 12        | NOT AVAILABLE     | Lock Nut                |
| 13        | NOT AVAILABLE     | Cam                     |
| 14        | NOT AVAILABLE     | Needle Roller           |
| 15        | NOT AVAILABLE     | Retaining Ring          |
| 16        | NOT AVAILABLE     | Ball Bearing            |
| 18        | NOT AVAILABLE     | Spacer                  |
| 19        | NOT AVAILABLE     | Crank Shaft             |
| 20        | NOT AVAILABLE     | Idler Gear              |
| 21        | NOT AVAILABLE     | Internal Gear           |
| 22        | NOT AVAILABLE     | Ball Bearing            |
| <b>23</b> | <b>APS660/FEP</b> | <b>Front End Plate</b>  |
| <b>24</b> | <b>APS660/RTR</b> | <b>Rotor</b>            |
| <b>25</b> | <b>APS660/RBS</b> | <b>Rotor Blades</b>     |
| 26        | NOT AVAILABLE     | Cylinder                |
| <b>27</b> | <b>APS660/REP</b> | <b>Rear End Plate</b>   |
| 28        | NOT AVAILABLE     | Pin                     |
| 30        | NOT AVAILABLE     | Motor Housing           |
| 31        | NOT AVAILABLE     | Throttle Lever          |
| 32        | NOT AVAILABLE     | Lever Pin               |
| 33        | NOT AVAILABLE     | Inlet Bushing           |
| 34        | NOT AVAILABLE     | O-Ring                  |
| 35        | NOT AVAILABLE     | Valve Stem              |
| 36        | NOT AVAILABLE     | Valve Spring            |
| 37        | NOT AVAILABLE     | Air Regulator           |
| 38        | NOT AVAILABLE     | O-Ring                  |
| 39        | NOT AVAILABLE     | O-Ring                  |
| 40        | NOT AVAILABLE     | Throttle Valve Plug     |
| 41        | NOT AVAILABLE     | Bushing                 |
| 42        | NOT AVAILABLE     | Bushing incl.#04        |