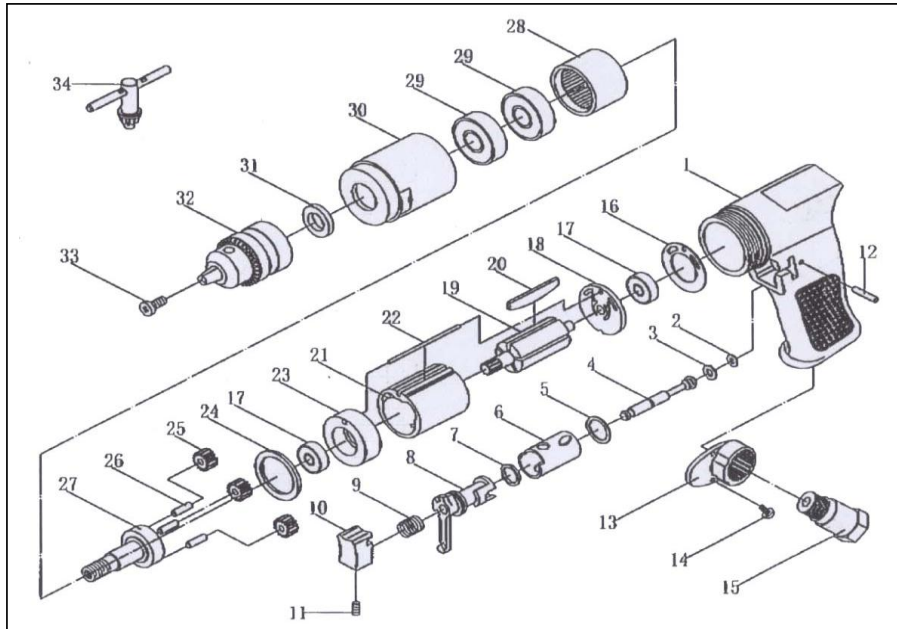


APT401R - 3/8" (10mm) Reversible Drill



Ref. #	PCL Part No	Description
1	NOT AVAILABLE	Housing
2	SEE SERVICE KIT	O-Ring (2)
3	SEE SERVICE KIT	O-Ring
4	NOT AVAILABLE	Valve Stem
5	SEE SERVICE KIT	O-Ring
6	NOT AVAILABLE	Bushing
7	NOT AVAILABLE	O-Ring
8	NOT AVAILABLE	Reverse Lever
9	SEE SERVICE KIT	Trigger Spring
10	NOT AVAILABLE	Trigger
11	SEE SERVICE KIT	Screw
12	NOT AVAILABLE	Pin
13	NOT AVAILABLE	Muffle Cover
14	NOT AVAILABLE	Screw (2)
15	NOT AVAILABLE	Air Inlet
16	NOT AVAILABLE	Rear Gasket
17	SEE REPAIR KIT	Bearing (2)
18	APS401/REP	Rear End Plate
19	NOT AVAILABLE	Rotor
20	APS401/RBS	Rotor Blade (5)
21	NOT AVAILABLE	Cylinder
22	NOT AVAILABLE	Pin
23	APS401/FEP	Front End Plate
24	SEE REPAIR KIT	Washer
25	NOT AVAILABLE	Gear (3)
26	NOT AVAILABLE	Pin (3)
27	NOT AVAILABLE	Work Spindle
28	NOT AVAILABLE	Thread Ring Gear
29	SEE REPAIR KIT	Bearing (2)
30	NOT AVAILABLE	Clamp Nut
31	SEE REPAIR KIT	Washer
32	APS401/CHK	Keyed Chuck (3/8)
32	APS401R/KCK	Keyless Chuck (3/8)
33	NOT AVAILABLE	Chuck Screw
34	NOT AVAILABLE	Chuck Key
N/A	APTR401	APT401(R) Repair Kit (items:17,24,29,31)
N/A	APTS401	APT401(R) Service Kit (items: 2,3,5,9,11)