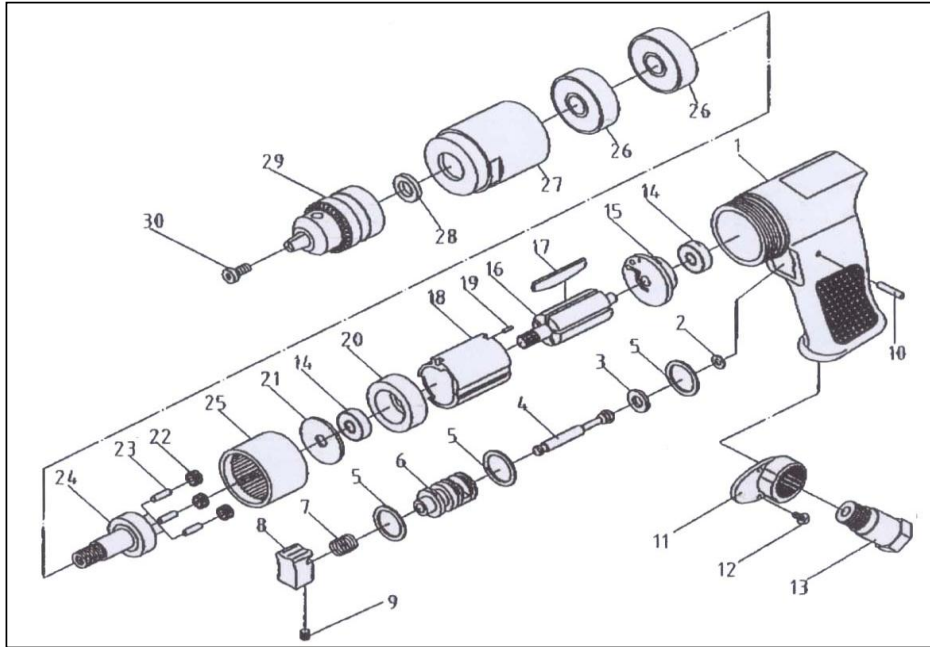


APT401 - 3/8" (10mm) Drill



Ref. #	PCL Part No	Description
1	NOT AVAILABLE	Housing
2	SEE SERVICE KIT	O-Ring
3	SEE SERVICE KIT	O-Ring
4	NOT AVAILABLE	Valve Stem
5	SEE SERVICE KIT	O-Ring (3)
6	NOT AVAILABLE	Bushing
7	SEE SERVICE KIT	Trigger Spring
8	NOT AVAILABLE	Trigger
9	SEE SERVICE KIT	Trigger Screw
10	NOT AVAILABLE	Pin
11	NOT AVAILABLE	Muffle Cover
12	NOT AVAILABLE	Screw (2)
13	NOT AVAILABLE	Air Inlet
14	SEE REPAIR KIT	Bearing(2)
15	APS401/REP	Rear End Plate
16	NOT AVAILABLE	Rotor
17	APS401/RBS	Rotor Blade (5)
18	NOT AVAILABLE	Cylinder
19	NOT AVAILABLE	Pin
20	APS401/FEP	Front End Plate
21	SEE REPAIR KIT	Washer
22	NOT AVAILABLE	Gear (3)
23	NOT AVAILABLE	Pin (3)
24	NOT AVAILABLE	Work Spindle
25	NOT AVAILABLE	Thread Ring Gear
26	SEE REPAIR KIT	Bearing (2)
27	NOT AVAILABLE	Clamp Nut
28	SEE REPAIR KIT	Washer
29	APS401/CHK	Keyed Chuck (3/8)
29	APS401R/KCK	Keyless Chuck (3/8)
30	NOT AVAILABLE	Chuck Screw
N/A	APTR401	APT401(R) Repair Kit (items: 14,17,21,26,28)
N/A	APTS401	APT401(R) Service Kit (items: 2,3,5,7,9)