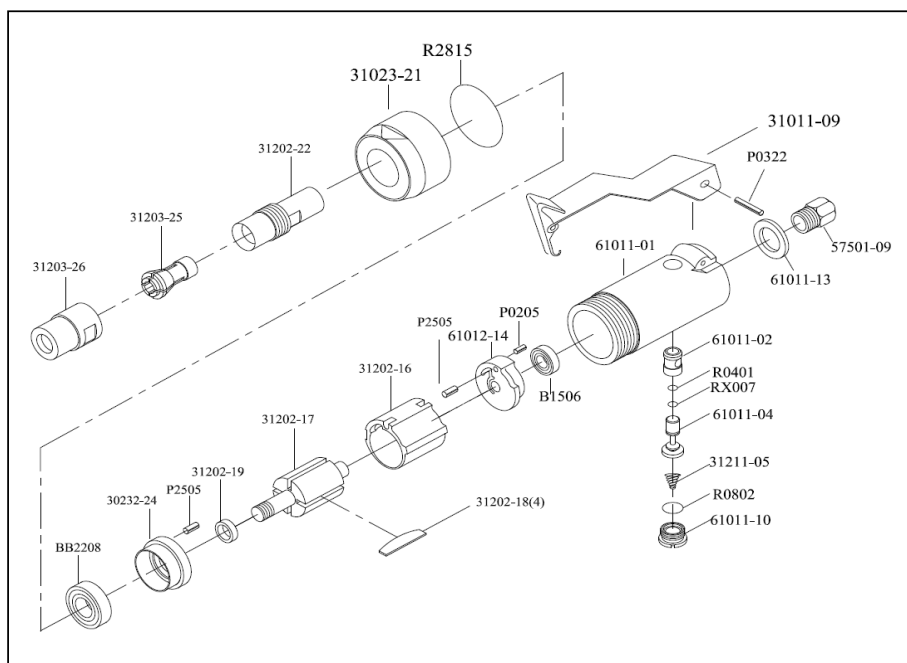


APT901 - Mini Straight Die Grinder



Ref #	PCL Part No	Description
30232-24	NOT AVAILABLE	Front panel
31011-09	APS902/JST	Japanese security trigger
31023-21	NOT AVAILABLE	Front cover
31202-16	NOT AVAILABLE	Cylinder
31202-17	NOT AVAILABLE	Rotor
31202-18	APS901/RBS	Rotor Blades
31202-19	NOT AVAILABLE	Washer
31202-22	NOT AVAILABLE	Clip spindle
31203-25	APS901/CLT	6mm Collet
31203-26	APS901/CNT	Collet Nut
31211-05	NOT AVAILABLE	Spring
57501-09	NOT AVAILABLE	Air inlet
61011-02	NOT AVAILABLE	Copper Bushing
61011-04	NOT AVAILABLE	Stem
61011-10	NOT AVAILABLE	Sealing plug
61011-13	NOT AVAILABLE	Exhaust gasket
61012-14	NOT AVAILABLE	Back plate
68011-01	NOT AVAILABLE	Aluminum Handle
68011-50	NOT AVAILABLE	Handle sleeve
B1506D	NOT AVAILABLE	696ZZ-Bearing
B2208D	NOT AVAILABLE	608ZZ-Bearing
P0205	NOT AVAILABLE	2 * 5 spring pin
P0322	NOT AVAILABLE	3 * 22 spring pin
P2505	NOT AVAILABLE	2.5 * 5 spring pin
R0401	NOT AVAILABLE	4 * 1 oil ring
R0802	NOT AVAILABLE	8 * 2 oil rings
R2815	NOT AVAILABLE	N70 oil ring (28 * 1.5)
RX007	NOT AVAILABLE	007 oil ring
WO011	NOT AVAILABLE	11mm Wrench
WO017	NOT AVAILABLE	17mm Wrench
MSA-000-08	NOT AVAILABLE	Dust cover