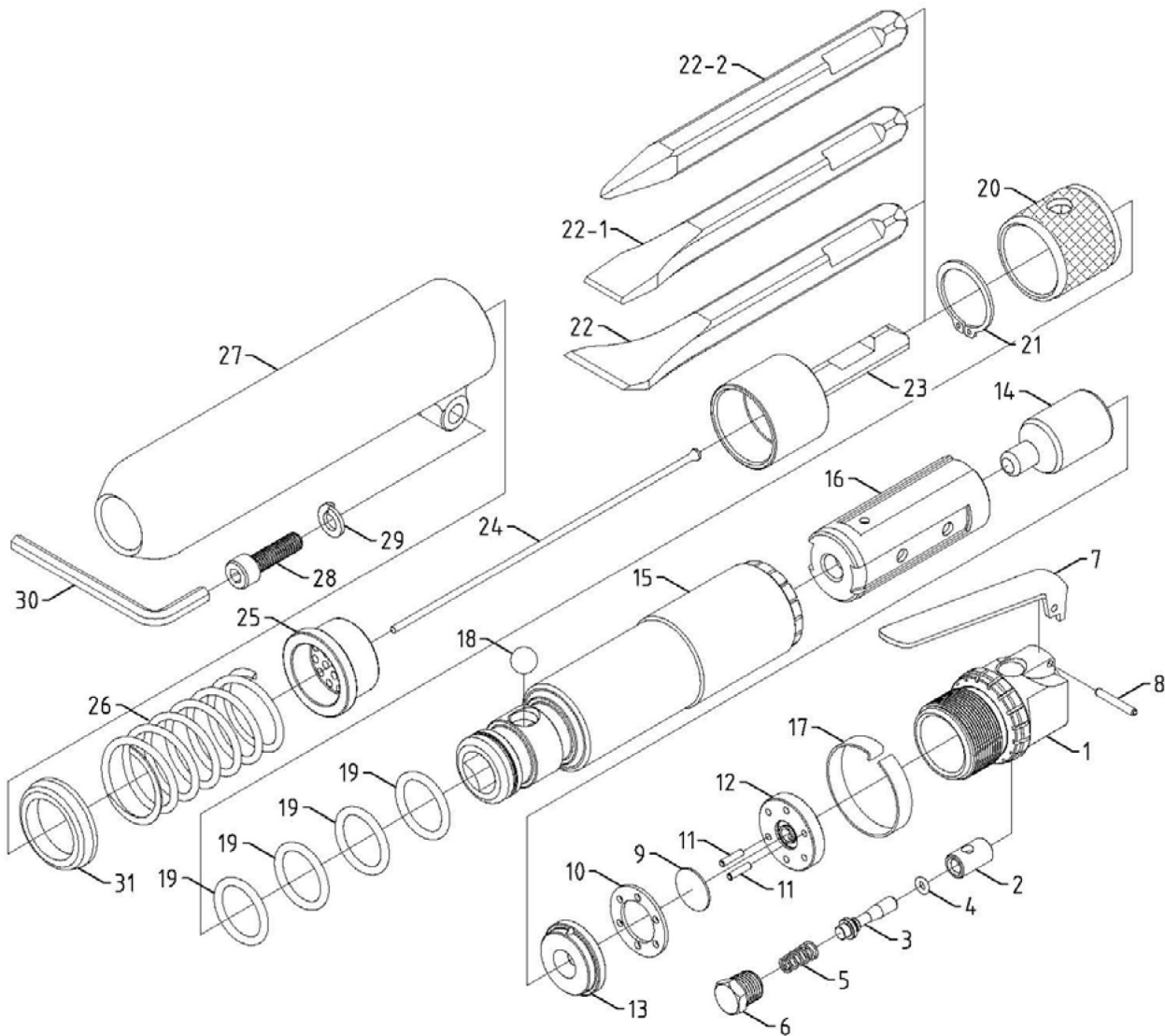


APT561 - Needle Scaler



Ref	PCL Part No	Description	Qty
1	APS561/1	Backhead	1
2	APS561/2	Valve bushing	1
3	APS561/3	Valve stem	1
4	APS561/4	O-ring (P4)	1
5	APS561/5	Valve spring	1
6	APS561/6	Hex bolt	1
7	APS561/7	Throttle lever	1
8	APS561/8	Spring roll pin (3x22)	1
9	APS561/9	Valve disc	1
10	APS561/10	Valve case	1
11	APS561/11	Pin (2.8x11)	2
12	APS561/12	Lower main valve	1
13	APS561/13	Upper main valve	1
14	APS561/14	Piston	1
15	APS561/15	Barrel	1
16	APS561/16	Piston sleeve	1
17	APS561/17	Lock ring	1

Ref	PCL Part No	Description	Qty
18	APS561/18	Ball (SB-7/16)	1
19	APS561/19	O-ring (P24)	4
20	APS561/20	Chisel cover	1
21	APS561/21	Snap ring (STW30)	1
22	APS561/22	Chisel bent	1
22-1	APS561/22-1	Chisel flat 20mm	1
22-2	APS561/22-2	Chisel point	1
23	APS561/23	Needle shank	1
24	APS561/NST	3mm Needle set (Φ3x180mm)	19
25	APS561/NFE	Needle flange	1
26	APS561/SNG2	Spring (38x83)	1
27	APS561/27	Needle cover	1
28	APS561/28	Cap head screw (5/16"x1/8")	1
29	APS561/29	Spring washer	1
30	APS561/20	Hex wrench (6mm)	1
31	APS561/31	Guide	1