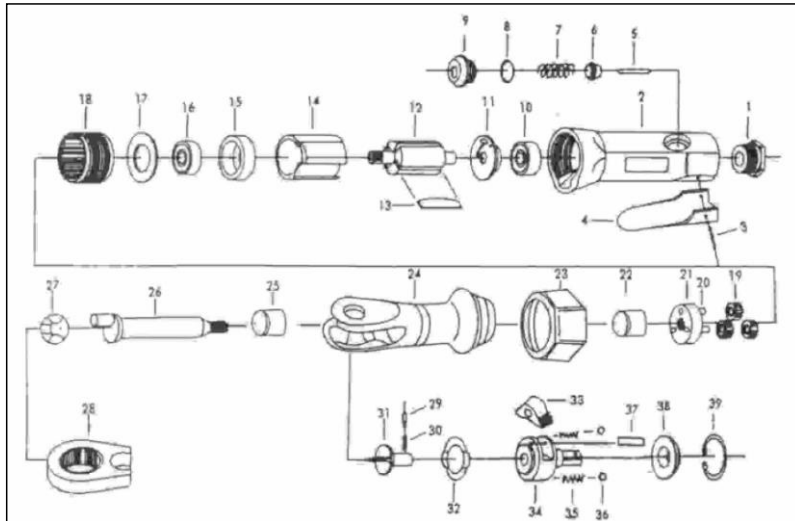


## APT330 - 1/2" Ratchet



Ref. #	PCL Part No	Description
01	NOT AVAILABLE	AIR INLET
02	NOT AVAILABLE	HOUSING
03	NOT AVAILABLE	ROLL PIN
04	NOT AVAILABLE	THROTTLE LEVER
05	NOT AVAILABLE	VALVE PIN
06	NOT AVAILABLE	VALVE PIN
07	NOT AVAILABLE	SPRING
08	NOT AVAILABLE	O-RING
09	NOT AVAILABLE	VALUE PLUG
10	NOT AVAILABLE	BALL BEARING
11	NOT AVAILABLE	REAR END PLATE
12	NOT AVAILABLE	ROTOR
13	NOT AVAILABLE	ROTOR BLADE
14	NOT AVAILABLE	CYLINDER
15	NOT AVAILABLE	FRONT END PLATE
16	NOT AVAILABLE	BEARING
17	NOT AVAILABLE	WASHER
18	NOT AVAILABLE	THREAD RING GEAR
19	NOT AVAILABLE	IDLER GEAR
20	NOT AVAILABLE	IDLER GEAR PIN
21	NOT AVAILABLE	IDLER GEAR PLATE
22	NOT AVAILABLE	NEEDLE BEARING
23	NOT AVAILABLE	CLAMP NUT
24	NOT AVAILABLE	RATCHET HOUSING
25	NOT AVAILABLE	SPACER
26	NOT AVAILABLE	CRANK SHAFT
27	NOT AVAILABLE	DRIVE BUSHING
28	NOT AVAILABLE	YOKE
29	NOT AVAILABLE	LOCK PIN
30	NOT AVAILABLE	SPRING
31	NOT AVAILABLE	REVERSE BUTTON
32	NOT AVAILABLE	WAVE WASHER
33	NOT AVAILABLE	RATCHET PAWL
34	NOT AVAILABLE	RATCHET ANVIL
35	NOT AVAILABLE	SPRING
36	NOT AVAILABLE	STEEL BALL
37	NOT AVAILABLE	PIN
38	NOT AVAILABLE	THRUST WASHER
39	NOT AVAILABLE	RETAINER RING