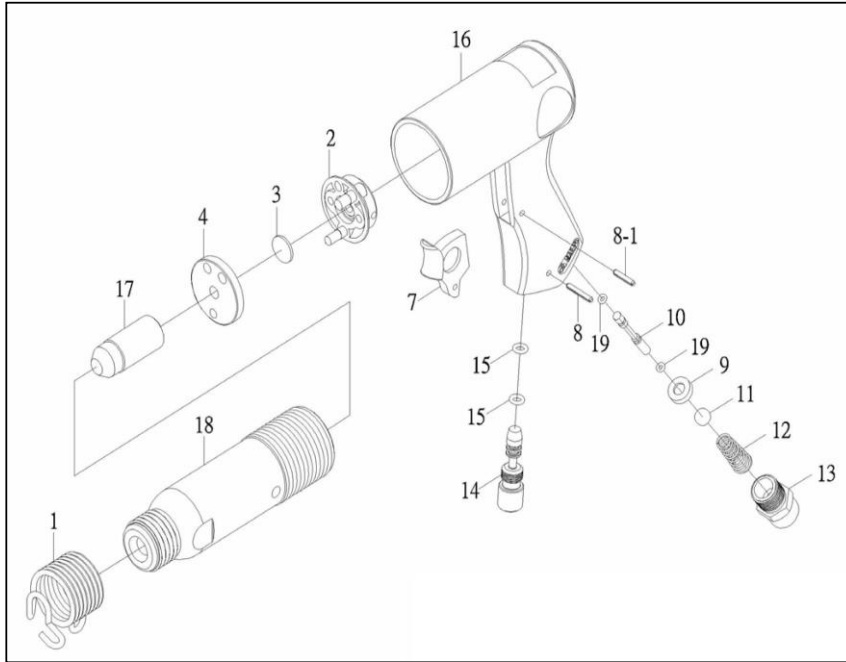


APT517 - Air Hammer



Ref. #	PCL Part No	Description
1	APS517/RSG	Retainer Spring