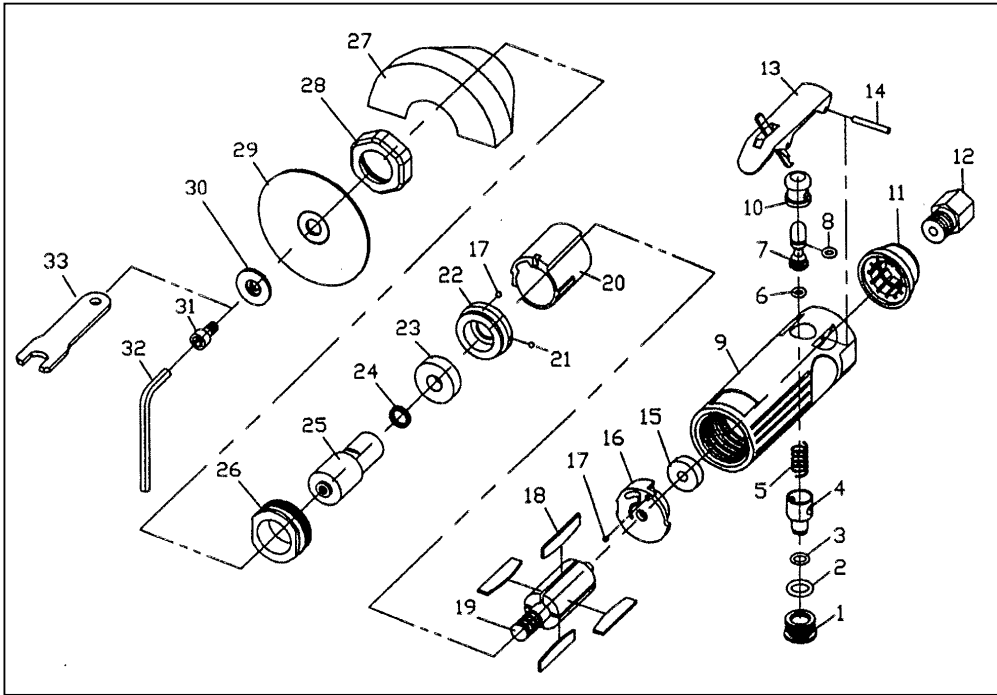


APT719 - Cut Off Tool



Ref	PCL Part No	Description
29	APT75FCM	PACK OF 10 3" CUTTING DISCS