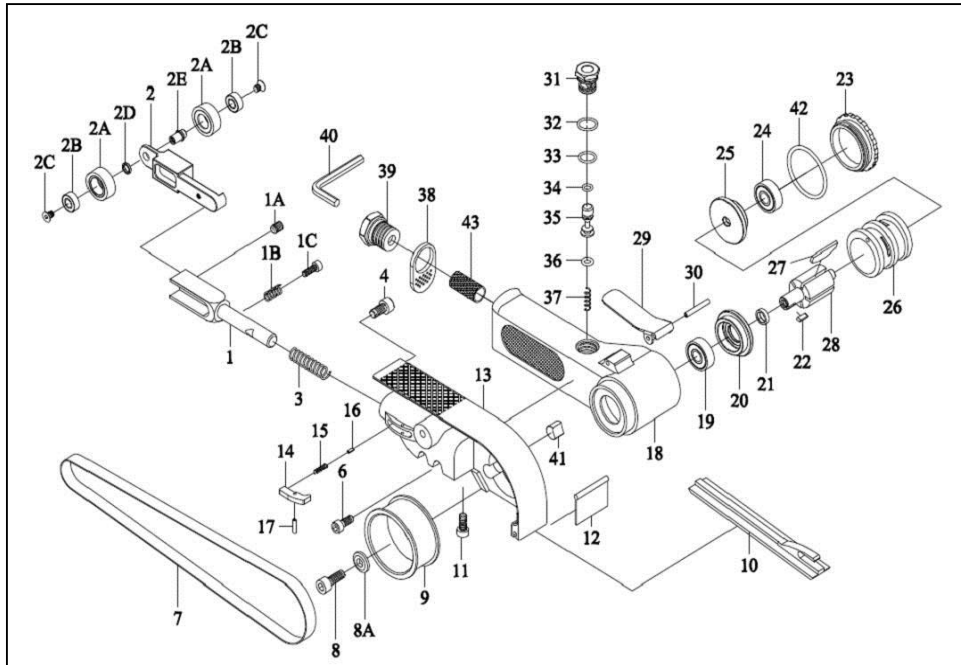


# APT756 - 20mm Belt Sander



Ref #	PCL Part No	Description
01C	APS756/IPA1	Idle Pulley Bracket Sub Ass'y A
1-2C	APS756/IPA2	Idle Pulley Bracket Sub Ass'y B
2A	APS756/PWL	2 Pulley Wheels
07A	APS756/GB80	Grinding Belt AA#80x20
07B	APS756/GB100	Grinding Belt AA#100x20
27	APS756/RBS	Rotor Blades (5)