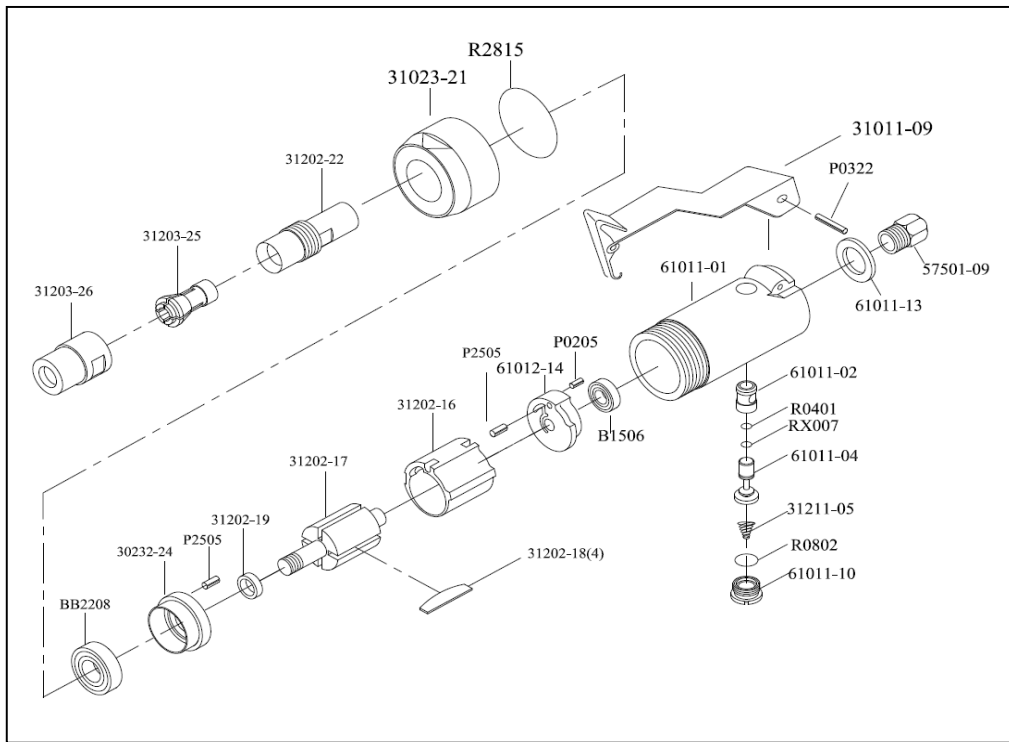


# APT901 - Mini Straight Die Grinder



Ref #	PCL Part No	Description
31203-25	APS901/CLT	6mm Collet
31203-26	APS901/CNT	Collet Nut