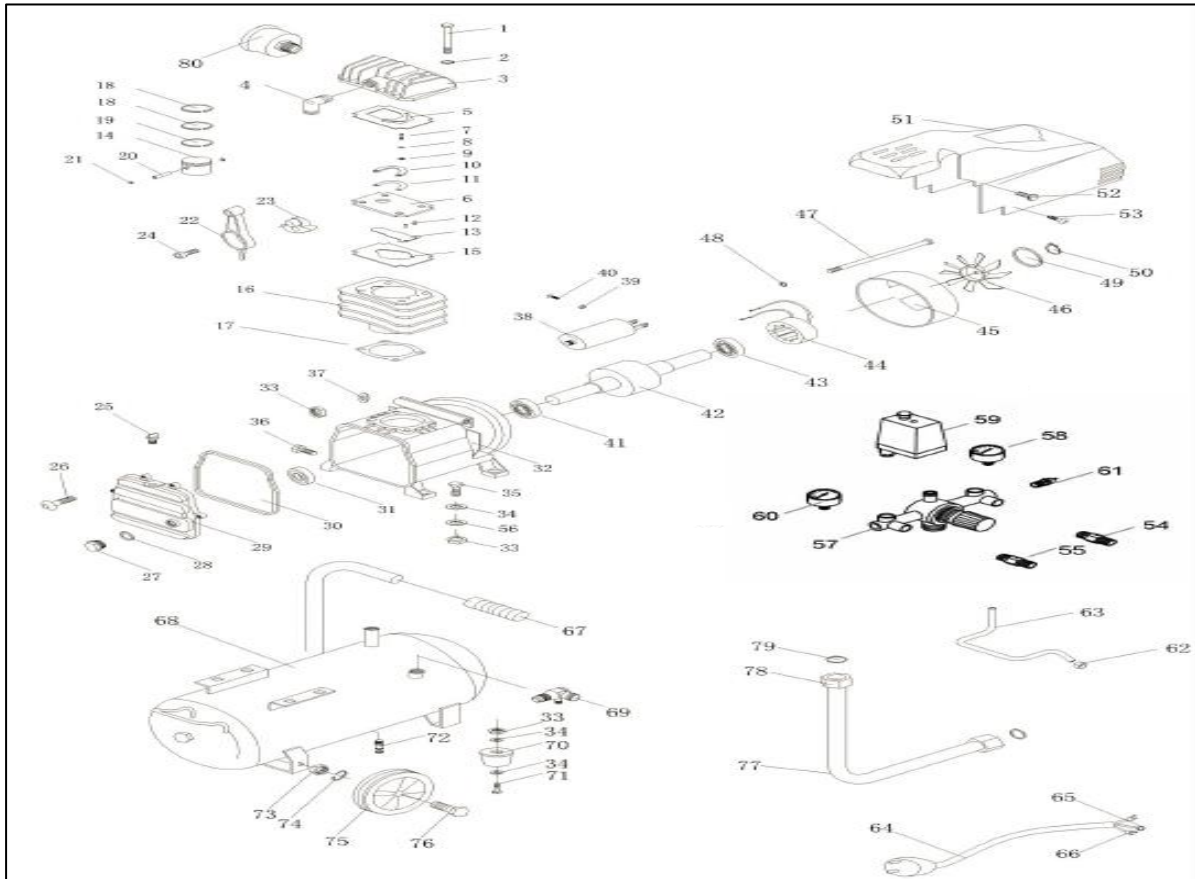


CM2024D - 24L 2.0HP Direct Drive Compressor Spares



Ref #	Description	PCL Part #
59	Vertical switch	CMS2024/VSH
72	Drain valve	CMS2024/DVE
51	Plastic cover (Shroud)	CMS2024/SRD
58,60	Y40 metal gauge	CMS2024/MGE
75	6" wheels	CMS2024/WHL
3	Cylinder head for CM2024D	CMS2024/CHD
27	Oil level	CMS2024/OLL
30	Rubber Shield for CM2024D	CMS2024/RSD
77	Exhaust pipe for CM2024D	CMS2024/EPE
61	Safety Valve	CMS2024/SVE
25	Oil breather	CMS2024/OBR
38	Capacitor for CM2024D	CMS2024/CPR
80	Air filter for CM2024D	CMS2024/AFR
70	Rubber Foot	CMS2024/RFT
5, 15 & 17	Gasket set for CM2024D	CMS2024/GST
44	Starter for CM2024D	CMS2024/STR
42	Rotor for CM2024D	CMS2024/RAR
69	One-way valve	CMS2024/OWV
57	Regulator/Manifold	CMS2024/RGL
18 & 19	Piston ring set for CM2024D	CMS2024/PRS